

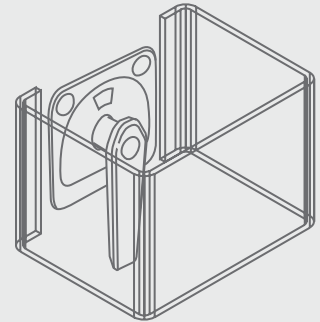
BE SAFE, NOT SORRY

Accidental switch operation can be devastating, both in terms of equipment and personnel.

The following products were designed to solve real life problems of accidental switch operation in sub-stations and control rooms.

MAGNETIC MOUNT

Our magnetic mount **SWITCH-SAFE** protects the control handle of the switch from being accidentally bumped or caught on a piece of clothing or tool belt. It is made of clear polycarbonate to allow for clear visibility of the switch and any lights. And the magnetic mount allows for the guard to be moved or even removed easily so that the handle can be operated.



LOCK OUT TAG OUT

Our Lock-Out-Tag-Out **SWITCH-SAFE** totally encloses the switch to protect from any unauthorized operation of the switch. To operate the switch the cover (also made of clear polycarbonate) must be removed. The split mounting plate slides between the nameplate and the panel. We provide new mounting screws to accommodate for the extra thickness and we provide a locking hasp at the bottom of the cover that can be used for any type lock or hasp.

- Our LOTO Switch-Safe cover is compatible with Electros witch, Shallco, and GE 3 hole mount switches.
- Other styles of switches with different mounting configurations including push buttons can easily be accommodated.
- We can create custom guards and covers of all kinds, just ask.

THE SWITCH-SAFE LOTO COVER IS COMPATIBLE WITH:

Electros witch Series-24 Manually Operated Switches including Pull-to-Lock
Electros witch Series-74 Manually Operated Switch with Spring Return and Pull-to-Lock
Electros witch Series-78 Lock Out Relay - Manual and Electric Reset
Electros witch Series-88 Control Switch Relay
Electros witch Series-92 Latching Switch Relay
Electros witch Series-94 Selector Switch Relay
Shallco Series-26 Control Switch and Series-76 Lock Out Relay
General Electric SB-1 Breaker Control and Transfer Switches